



Outdoor Wireless Series

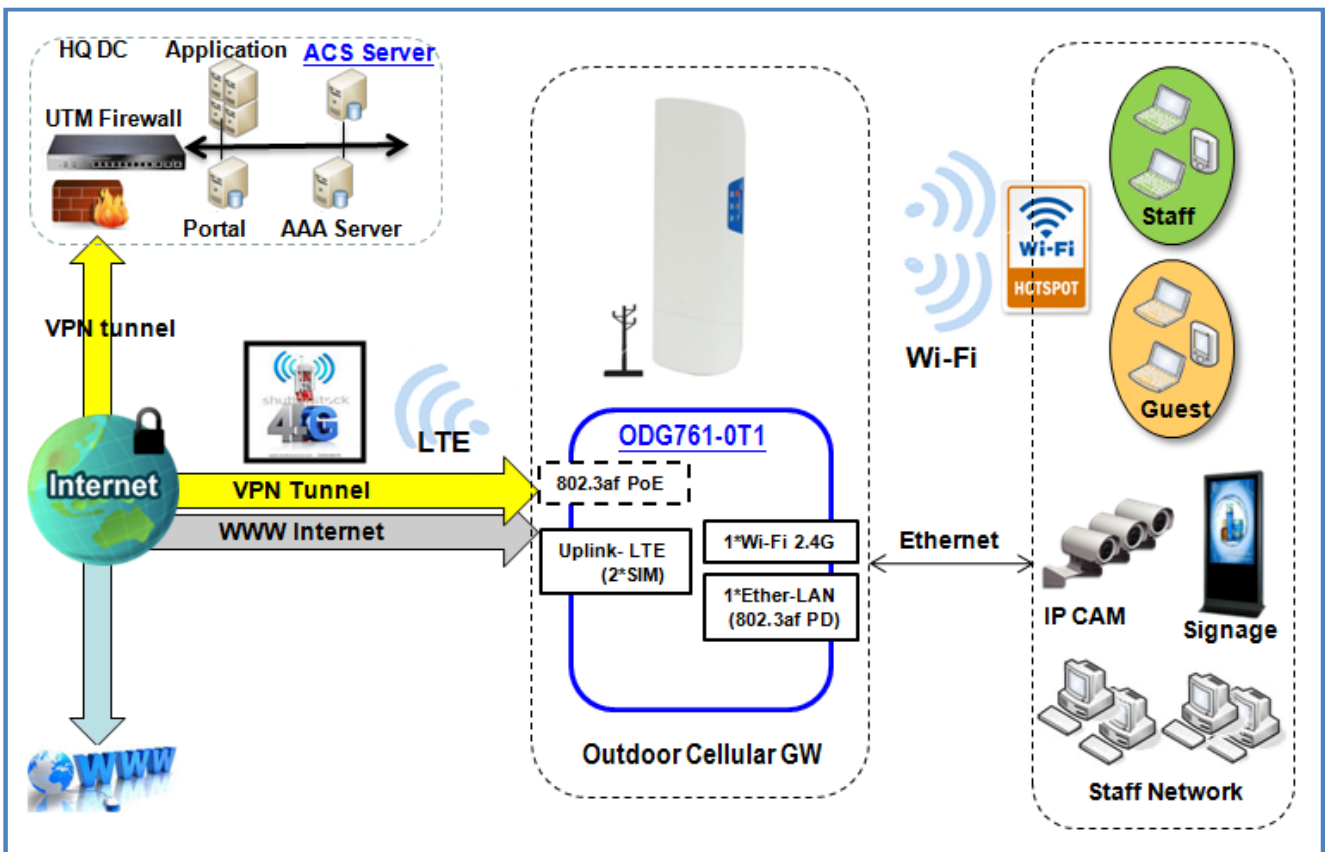
ODG761-0T1

Outdoor Cellular Gateway

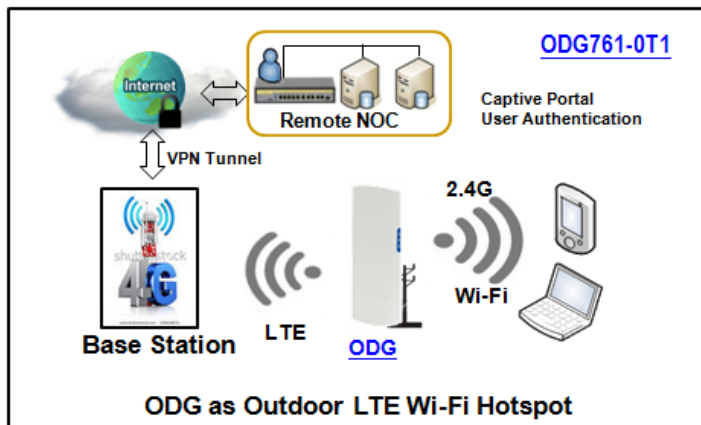
Feature Sets:

- Outdoor Cellular Gateway for Rural Broadband, Uplink Backup, Station/Airport Public Hotspot, and other Outdoor Access applications.
- Equip with a dual-SIM LTE, provide WAN failover function for highly reliable requirement, without geographic limit.
- 1*GE LAN PoE-enabled port for local network connectivity.
- WiFi Compliance 802.11n 2T2R; Multiple (8) SSIDs for privilege group users. Segmented guest and corporate access with multiple SSIDs, and standard based VLAN configurations.
- Equip with a 9dBi directional WiFi antenna for long distance WiFi connection or providing better WiFi signal to specific area.
- Fully protocol stack for both IPv4 and IPv6, afford 128 users and 50,000 concurrent sessions.
- IPsec, PPTP and L2TP VPN support up to 8 concurrent tunnels with max 70Mbps throughput (IPsec).
- QoS and Bandwidth management for optimal bandwidth usage.
- Firewall with SPI and IPS prevent hacker attacking and enhance network efficiency.
- SNMP, Telnet CLI, and TR069 for administrator to manage system.

Connection Diagram:



Applications:



Application: To deploy a cellular gateway for outdoor applications

Description:

- The easiest way to deploy a cellular gateway for outdoor hotspot access.
- With LTE as internet connection, it is plug and play without geographic limit.
- 802.11n Wi-Fi (2.4GHz) with 9dbi high gain directional antenna for good coverage and distance.
- Fully Wi-Fi compliance function and user authentication for public Wi-Fi hotspot.
- Anti- dust and water design for outdoor installation.
- Easily being managed by AMIT SMB gateway or management SW.

Specifications¹:

Device Interfaces

| | |
|------------------------------|--|
| Uplink: | 1*embedded LTE (dual SIM), |
| LAN-RJ45: | 1*RJ45 GE (with 802.3af PD) |
| LAN-Wi-Fi: | 11n 2T2R |
| 3G/4G Band ² : | LTE: 800/900/1800/2600 MHz, UMTS: 900/2100 MHz |
| Antenna(int.): | 2*3dBi Omni ant. (3G/4G) , 1*9dBi directional 2T2R ant. (WiFi) (H-Plane:60°, V-Plane: 30°) |
| Antenna(ext.) ³ : | 2* SMA for external LTE ant. (optional, and configurable) |
| Power Source: | 1* 802.3af PoE, or proprietary Passive PoE Injector |

Enclosure

| | |
|--------------|------------------------|
| Material: | Plastic (PC + anti-UV) |
| Mounting: | Pole Mount, Wall Mount |
| IP Rating: | IP55 |
| Wind Rating: | 120 mph |

WAN Functions

| | |
|-----------|--|
| WAN: | Cellular WAN, Dual SIM Failover Bridge |
| Cellular: | 2G/3G/LTE IPv4/IPv6, IP Pass-through |
| IPv6: | Dual Stack, 6-in-4, 6-to-4, Dynamic, Static |

Basic Functions

| | |
|-----------------|---|
| Ethernet: | LAN IP, Subnet Mask |
| WiFi System: | 802.11n 2T2R MIMO 300Mbps (2.4GHz) |
| WiFi Operation: | AP Router, WDS, WDS Hybrid Modes |
| Mode & Func.: | Multi SSID WPS WMM |
| WiFi Security: | WEP, WPA, WPA2, WPA-PSK, WPA2-PSK, 802.1x |
| VLAN: | Port-based, Tag-based |
| NAT: | ALG, Special AP, DMZ Host, Virtual Server/ Computer, PPTP/L2TP/IPSec Pass -through |
| Routing: | Static, Dynamic: RIP1/RIP2, OSPF, BGP |

Cellular Functions

| | |
|---------------|--|
| Connectivity: | SIM-SIM Failover / Failback, Reliability 24/7 |
| APN Mgmt.: | Auto-Detection, User Defined Priority, Manual |
| Network Scan: | Operator/Service Type/Band Selection |
| Data Plan: | Monitor, Usage Warning, Connection, Restricted |
| SMS: | Send, Receive, Forward, Event Notify, Device Management |
| USSD: | Manual/USSD Profile |

Management

| | |
|------------------|--|
| Configuration: | Web UI, Telnet CLI |
| Network: | SNMPv3, TR-069 |
| Event & Handler: | SMS, Syslog, SNMP Trap, Email Alert, Reboot |

Advanced Functions

| | |
|-----------------|---|
| Firewall: | SPI Firewall with Stealth Mode, IPS |
| Access Control: | MAC Address Control, Packet Filters, URL Blocking |
| QoS & BWM: | Policy-based Bandwidth Control and Packet Flow Prioritization |
| VPN Tunneling: | IPSec, PPTP, L2TP, GRE, Open VPN, DMVPN, L2TP over IPSec; Tunneling with Full Tunnel, Tunnel Failover |
| VPN Scenario: | Site to Site, Site to Host, Host to Site, Host to Host, Hub and Spoke, DMVPN, Dynamic VPN |
| VPN Capability: | IPSec: up to 8 tunnels |

Systems

| | |
|------------|--|
| System: | Status & Statistics, Tools, Scheduling, FW Upgrade, Backup & Restore Settings, Watch Dog |
| User Auth: | Captive Portal, RADUIS, X.509 |
| Grouping: | Group by Host, File Extension, Application |

Environment

| | |
|------------------|----------------------------|
| Operation Temp.: | -20 °C ~ 60 °C |
| Storage Temp.: | -40 °C ~ 85 °C |
| Humidity: | 10% ~ 95% (non-condensing) |

1. Specifications are subject to change without advanced notice.
2. Supported frequency band is dependent upon regional hardware version.
3. External LTE antenna is not included in standard package.

Advance Multimedia Internet Technology Inc.

TEL: +886 (0)6 505 8026 FAX: +886 (0)6 505 8068

Web: <http://www.amit.com.tw> Email: sales@amit.com.tw

No. 28, Lane 31, Huandong Rd., Sec. 1, Tainan Science Park, Sinshih District, Tainan City 741, Taiwan

ODG761-0T1 V1.5