



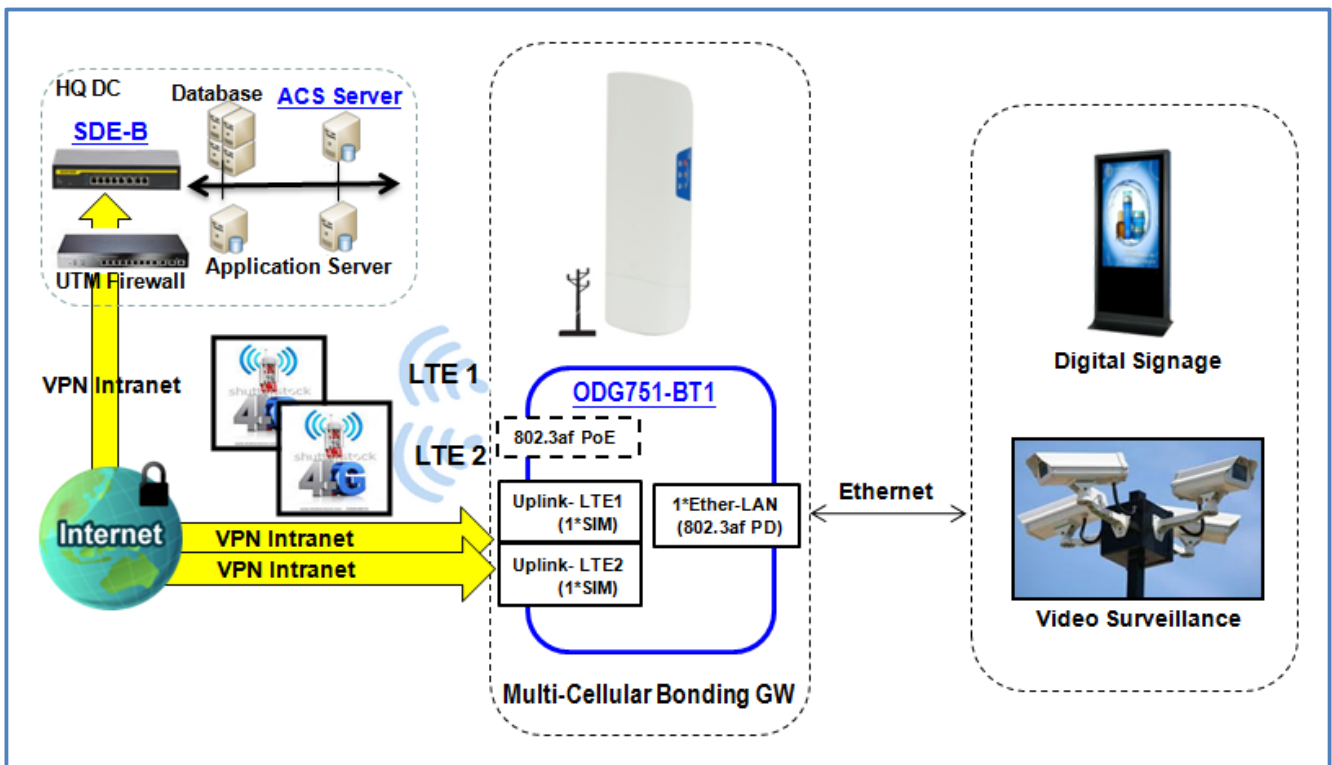
## Bandwidth Aggregation Series

### ODG751-BT1 Outdoor Multi-Cellular Bonding GW

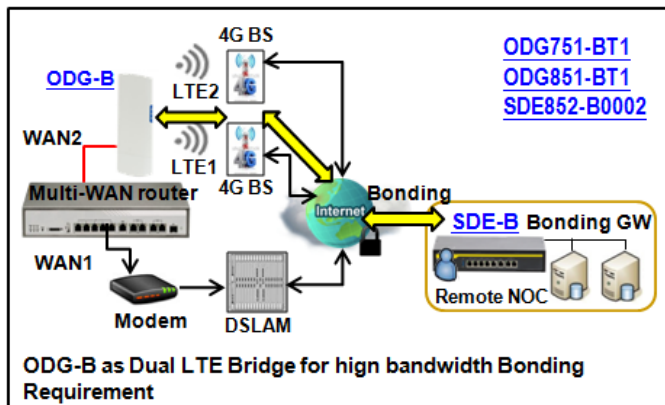
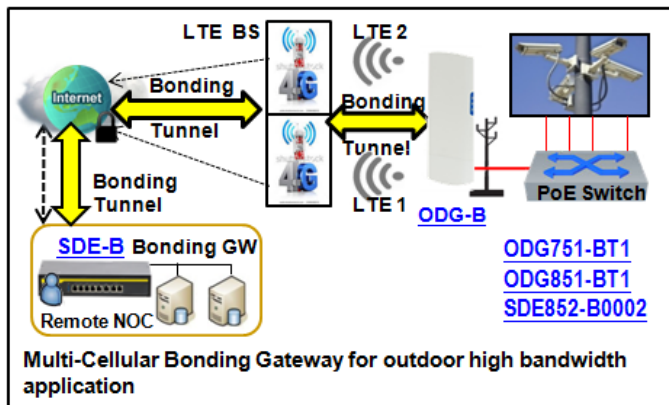
#### Feature Sets:

- Outdoor Multi-Cellular Bonding Gateway for high bandwidth requirement applications, like video surveillance, or large file transfer over the Internet. Increase the available bandwidth, and remedy for un-stable / un-warranted connection quality from your ISP, especially for the cellular service.
- Equip with two single-SIM LTE, provide WAN failover, load balance and bonding function for highly reliable and bandwidth requirement, without geographic limit. Additional Bridge Mode for upgrade internet connection of existed gateway.
- 1\* GE LAN PoE-enabled port for local network connectivity.
- Equip with internal 3dBi Omni antenna, and external high gain LTE antenna for LTE connections.
- Fully protocol stack for both IPv4 and IPv6, afford 128 users and 50,000 concurrent sessions.
- IPsec, PPTP and L2TP VPN support up to 8 concurrent tunnels with max 70Mbps throughput (IPsec).
- QoS and Bandwidth management for optimal bandwidth usage.
- Firewall with SPI and IPS prevent hacker attacking and enhance network efficiency.
- SNMP, Telnet CLI, and TR069 for administrator to manage system.

#### Connection Diagram:



## Applications:



## Specifications<sup>1</sup>:

### Device Interfaces

Uplink: 2\*embedded LTE (Dual SIM),  
LAN-RJ45: 1\*RJ45 GE (with 802.3af PD)  
3G/4G Band<sup>2</sup>: LTE: 800/900/1800/2600 MHz,  
UMTS: 900/2100 MHz  
Antenna(int.): 2\*3dBi Omni ant. (LTE1),  
Antenna(ext.)<sup>3</sup>: 2\* SMA for external ant. (LTE2)  
Power Source: 1\* 802.3af PoE, or  
proprietary Passive PoE Injector

### Enclosure

Material: Plastic (PC + anti-UV)  
Mounting: Pole Mount, Wall Mount  
IP Rating: IP55  
Wind Rating: 120 mph

### WAN Functions

WAN: Multiple WANs, Load Balance / Bonding,  
Bridge  
Cellular: 2G/3G/LTE IPv4/IPv6, Dual Module,  
IP Pass-through  
IPv6: Dual Stack, 6-in-4, 6-to-4, Dynamic,  
Static

### Basic Functions

Ethernet: LAN IP, Subnet Mask  
VLAN: Tag-based  
NAT: ALG, Special AP, DMZ Host, Virtual Server/  
Computer, PPTP/L2TP/IPSec Pass-through  
Routing: Static, Dynamic: RIP1/RIP2, OSPF, BGP

### Management

Configuration: Web UI, Telnet CLI  
Network: SNMPv3, TR-069  
Event & Handler: SMS, Syslog, SNMP Trap, Email Alert,  
Reboot

### Cellular Functions

Connectivity: LTE-LTE Failover / Failback, Reliability 24/7  
APN Mgmt.: Auto-Detection, User Defined Priority,  
Manual  
Network Scan: Operator/Service Type/Band Selection  
Data Plan: Monitor, Usage Warning, Connection,  
Restricted  
SMS: Send, Receive, Forward, Event Notify,  
Device Management  
USSD: Manual/USSD Profile

### Advanced Functions

Firewall: SPI Firewall with Stealth Mode, IPS  
Access Control: MAC Address Control, Packet Filters,  
URL Blocking  
QoS & BWM: Policy-based Bandwidth Control and Packet  
Flow Prioritization  
VPN Tunneling: IPSec, PPTP, L2TP, GRE, Open VPN,  
DMVPN, L2TP over IPSec;  
Tunneling with Full Tunnel, Tunnel Failover  
VPN Scenario: Site to Site, Site to Host, Host to Site, Host  
to Host, Hub and Spoke, DMVPN,  
Dynamic VPN  
VPN Capability: IPSec: up to 8 tunnels

### Systems

System: Status & Statistics, Tools, Scheduling,  
FW Upgrade, Backup & Restore Settings,  
Watch Dog  
Grouping: Group by Host, File Extension, Application

### Environment

Operation Temp.: -20 °C ~ 60 °C  
Storage Temp.: -40 °C ~ 85 °C  
Humidity: 10% ~ 95% (non-condensing)

1. Specifications are subject to change without advanced notice.
2. Supported frequency band is dependent upon regional hardware version.
3. External LTE antenna is not included in standard package.

## Advance Multimedia Internet Technology Inc.

TEL: +886 (0)6 505 8026 FAX: +886 (0)6 505 8068

Web: <http://www.amit.com.tw> Email: [sales@amit.com.tw](mailto:sales@amit.com.tw)

No. 28, Lane 31, Huandong Rd., Sec. 1, Tainan Science Park, Sinshih District, Tainan City 741, Taiwan

ODG751-BT1 v1.5