

*Machine Talking
within
SMB Intranet*

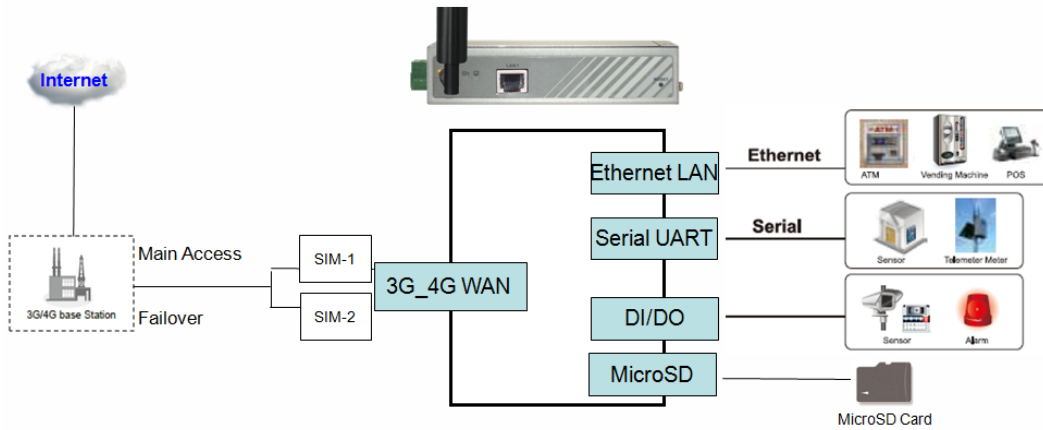


IoT Cellular Gateway IOG700-0TCR1 MachTalk Series

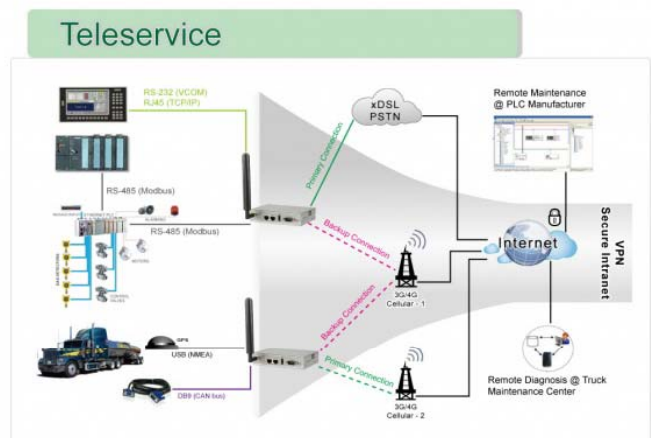
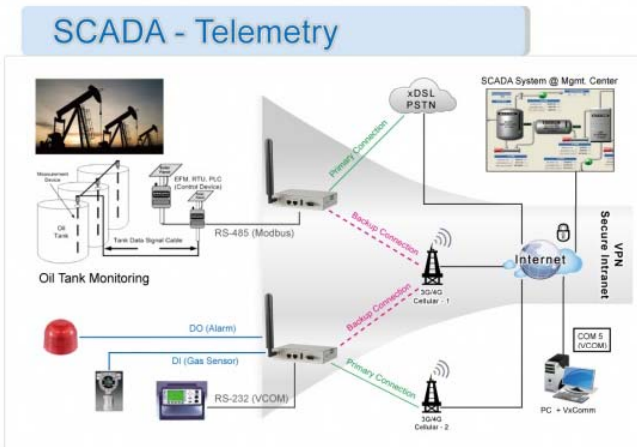
Feature Sets:

- MachTalk IoT Cellular Gateway for SCADA Telemetry, and Teleservice applications.
- 1x embedded LTE with dual-SIM failover for reliable and efficient access.
- 1x FE LAN ports with 4x tag based and port based VLANs easily to group control and relocate traffic pattern.
- 1x RJ12 (RS232/RS485) for various serial communication protocol, and 1x DI, 1xDO for device triggering or event reporting.
- 1x MicroSD slot for recording optional device event and status logs in an add-on MicroSD storage.
- Fully protocol stack for both IPv4 and IPv6, afford to 128 concurrent users and 50,000 concurrent sessions.
- IPsec, PPTP and L2TP VPN support up to 32 concurrent tunnels with max 80Mbps throughput (IPsec).
- QoS and Bandwidth management for optimal bandwidth usage.
- Firewall with SPI, CSM and IPS prevent hacker attacking and enhance network efficiency.
- SNMP, Telnet CLI, and optional TR069 for administrator to manage system.
- High Availability for mission critical application with multi-WAN load balance and VPN tunnel failover, also VRRP for Device Redundancy.

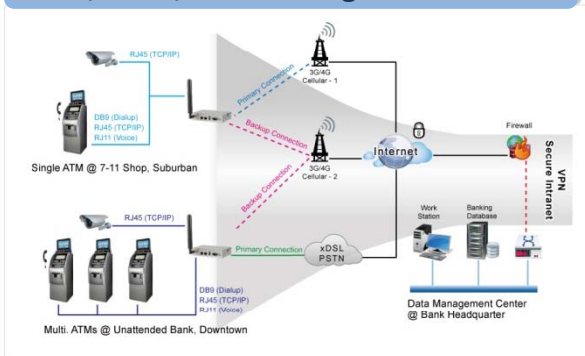
Connection Diagram:



Application Diagrams:



ATM, Kiosk, and Vending Machine



Specifications¹:

Device Interfaces

WAN	1x embedded LTE (dual SIM),
LAN	1 x RJ45 FE
Expansion	2xSIM Slot, 1xRJ12 (RS232/RS485), 1xDI, 1xDO 1xMicroSD Slot
3G/4G Band ² :	LTE: 800/900/1800/2600 MHz, UMTS: 900/2100 MHz
Antenna	2x 2dBi detachable ant. (3G/4G)
Power Source	DC12V ~ 48V

WAN Functions

WAN:	3G/4G WAN, Dual-SIM Failover
3G/4G:	NDIS for 3G/4G
IPv6:	Dual Stack, 6-in-4, 6-to-4, Dynamic, Static, PPPoE

Basic Functions

Ethernet:	LAN IP, Subnet Mask
VLAN:	Port-based, Tag-based
NAT:	ALG, Special AP, DMZ Host, Virtual Server/ Computer, PPTP/L2TP/IPSec Pass Through
Routing:	Static, Dynamic: RIP1/RIP2, OSPF, BGP
Client&Server:	DHCP, DDNS, IGMP

Management

System:	Web, Telnet CLI, SNMP, SMS, TR-069
---------	------------------------------------

Advanced Functions

Firewall:	SPI Firewall with Stealth Mode, IPS
Access Control:	Packet Filters, URL Blocking, MAC Address Control
QoS & BWM:	Policy-based Bandwidth Control and Packet Flow Prioritization based on MAC/VLAN Tag/ IP/DSCP/TCP/UDP/Service/Group
VPN Tunneling:	IPSec, PPTP, L2TP, GRE VPN Tunneling with Full Tunnel, Tunnel Failover, Tunnel Load Balance and Smart Conf. Capabilities
VPN Scenario:	Site to Site, Site to Host, Host to Site, and Dynamic VPN
VPN Capability:	IPSec: up to 32 tunnels
Redundancy:	VRRP

Applications

Mobile:	SMS, USSD, Network Scan*
Serial:	Virtual COM, Ethernet to COM Bridge, Modbus
DIDO:	Digital input, Digital output
Storage:	I/O Status Records, Device/Event/Configuration Log File

Systems

System:	Status & Statistics, Tools, Scheduling, FW Upgrade, Backup & Restore Settings
---------	--

1. Specifications are subject to change without advanced notice.
2. Supported frequency band is dependent upon regional hardware version.

Advance Multimedia Internet Technology Inc.

TEL: +886 (0)6 505 8026 FAX: +886 (0)6 505 8068

Web: <http://www.amit.com.tw> Email: sales@amit.com.tw

No. 28, Lane 31, Huandong Rd., Sec. 1, Tainan Science Park, Sinshih District, Tainan City 741, Taiwan

IOG700-0TCR1 V1.2