

*Machine Talking
within
SMB Intranet*

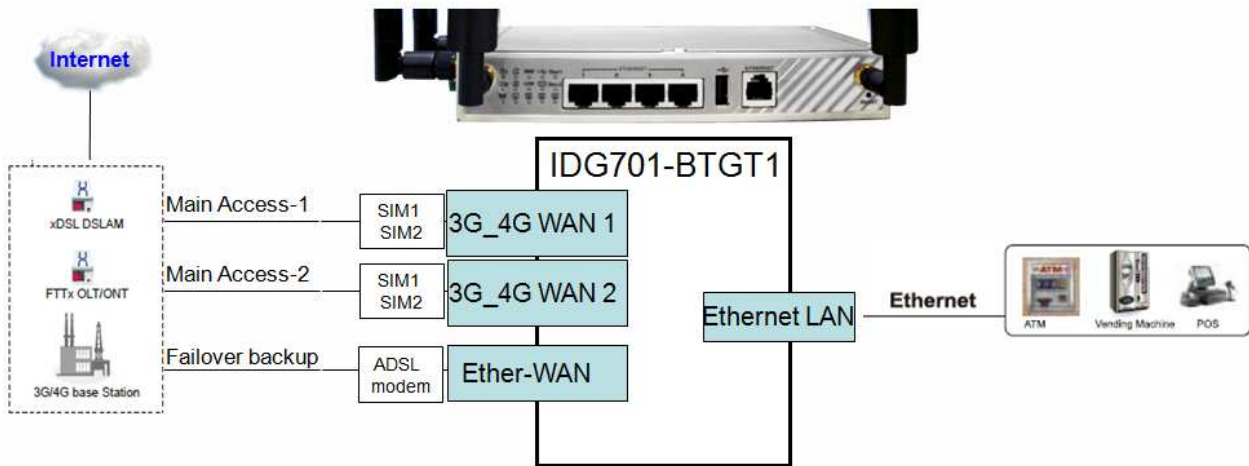


M2M-IoT Cellular Gateway IDG701-BTGT1 MachTalk Series

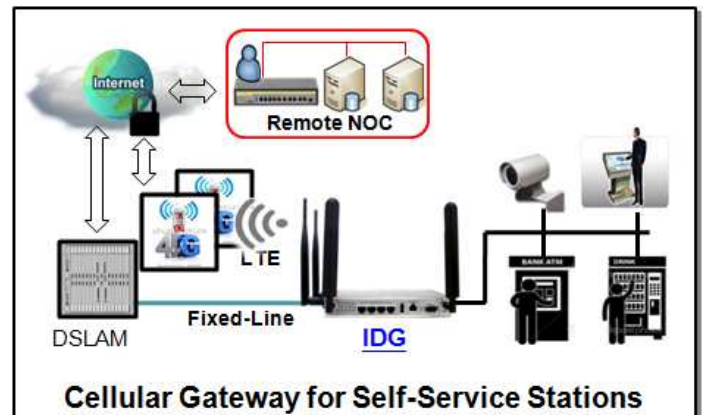
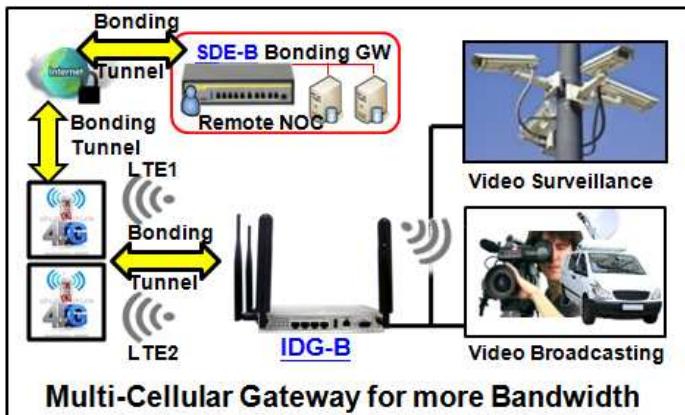
Feature Sets:

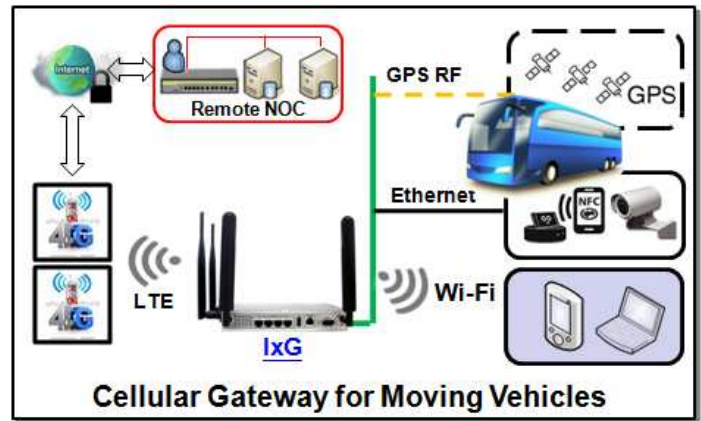
- M2M-IoT Cellular Gateway for Mobile Office, Moving Vehicle, and Self-Service applications.
- 2x embedded LTE module with dual-SIM failover for reliable and efficient access.
- Dual-SIM LTE and various 2nd LTE WAN can provide failover, load balance, and bonding function for highly reliable and bandwidth requirement, without geographic limit.
- 4xFE LAN port with tag based and port based VLANs easily to group control and relocate traffic pattern.
- Fully protocol stack for both IPv4/IPv6, afford 128 users and 50,000 concurrent sessions.
- IPSec, PPTP, and L2TP VPN support up to 8 concurrent tunnels with max 70Mbps throughput (IPSec).
- Firewall with SPI and IPS prevent hacker attacking and enhance network efficiency.
- SNMP, Telnet CLI, and TR069 for administrator to manage system.
- QoS and Bandwidth management for optimal bandwidth usage.
- Seamless power failover between redundant 9-48V DC input.

Connection Diagram:



Application Diagrams:





Specifications¹:

Device Interfaces

WAN	2 x embedded LTE (dual SIM), 1 x RJ45 FE (configurable),
LAN	3~4 x RJ45 FE
Expansion	4 x SIM Slot, 1 x RJ12 (Console) 1 x USB 2.0
3G/4G Band ² :	LTE: 800/900/1800/2600 MHz, UMTS: 900/2100 MHz
Antenna	4 x 3dBi detachable ant. (3G/4G)
Power Source	Dual DC9V~48V

WAN Functions

WAN:	Dual 3G/4G WAN, Dual-SIM Failover, Load Balance, WAN Bonding, Configurable Ethernet/4G
Ethernet:	Dynamic IP, Static IP, PPPoE, PPTP, L2TP
3G/4G:	NDIS for 3G/4G
IPv6:	Dual Stack, 6-in-4, 6-to-4, Dynamic, Static, PPPoE

Basic Functions

Ethernet:	LAN IP, Subnet Mask
VLAN:	Port-based, Tag-based
NAT:	ALG, Special AP, DMZ Host, Virtual Server/ Computer, PPTP/L2TP/IPSec Pass Through
Routing:	Static, Dynamic: RIP1/RIP2, OSPF, BGP
Client&Server:	DHCP, DDNS, IGMP

Management

System:	Web, Telnet CLI, SNMP, SMS, TR-069
---------	------------------------------------

Advanced Functions

Firewall:	SPI Firewall with Stealth Mode, IPS
Access Control:	Packet Filters, URL Blocking, MAC Address Control
QoS & BWM:	Policy-based Bandwidth Control and Packet Flow Prioritization based on MAC/VLAN Tag/ IP/DSCP/TCP/UDP/Well-known Service/ Group
VPN Tunneling:	IPSec, PPTP, L2TP, GRE VPN Tunneling with Full Tunnel, Tunnel Failover, Tunnel Load Balance, L2TP over IPSec, and Smart Conf. Capabilities
VPN Scenario:	Site to Site, Site to Host, Host to Site, Host to Host, and Dynamic VPN
VPN Capability:	IPSec: up to 8 tunnels
Redundancy:	VRRP

Applications

Mobile:	SMS, USSD, Network Scan
---------	-------------------------

Systems

System:	Status & Statistics, Tools, Scheduling, FW Upgrade, Backup & Restore Settings
---------	--

Environment

Operation Temp.:	-20 °C ~ 60 °C
Storage Temp.:	-40 °C ~ 85 °C
Humidity:	10% ~ 95% (non-condensing)

1. Specifications are subject to change without advanced notice.
2. Supported frequency band is dependent upon regional hardware version.

Advance Multimedia Internet Technology Inc.

TEL: +886 (0)6 505 8026 FAX: +886 (0)6 505 8068

Web: <http://www.amit.com.tw> Email: sales@amit.com.tw

No. 28, Lane 31, Huandong Rd., Sec. 1, Tainan Science Park, Sinshih District, Tainan City 741, Taiwan

IDG701-BTGT1 V1.3