

### Electrical Data

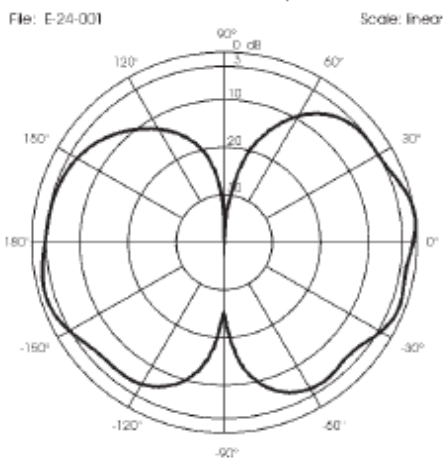
Type : Dipole  
Frequency Range : 880-960 MHz 1710-2170 MHz  
Impedance : 50  $\Omega$  Unbalanced  
Polarization : Linear Vertical  
Gain : 0 dBd - 2.15 dBi both band 3 dB  
Beamwidth Vertical : E-plane 50°  
Beamwidth Horizontal : H-plane 360° Omnidirectional  
Downtilt : 0°  
V.S.W.R. in bandwidth :  $\leq 2.0:1$   
Max Power : 20 Watts  
Feed System / Position : Direct / Base  
Cable Type / Length : RG 58 / 5 m  
Connector Type : SMA Male



### Mechanical Data

Housing Materials : Chromed Brass, PCB  
Radome Material : White Fibreglass  
Height (approx.) : 335 mm  
Weight (approx.) : 470 gr  
Operating Temperature : -20° C to 80° C

TYPICAL RADIATION PATTERN in E-plane at 920 MHz



TYPICAL RADIATION PATTERN in E-plane at 1710 MHz

